

Village of Spencer

Spring 2015

CURBSIDE BRUSH PICKUP/ CHIPPING GUIDELINES

These guidelines have been prepared in order to efficiently and effectively provide brush pickup/chipping services for residents of the Village of Spencer. This program is intended for the disposal of residential amounts of limbs/branches that are removed during normal maintenance and upkeep only. Brush is not accepted from surrounding areas.

The Village WILL NOT pick up brush from lot clearing activities or from the removal of trees. Contractor-cleared brush or trees will NOT be picked up. It is the contractor's or resident's responsibility to dispose of this. It can be transported to the Village compost facility, or you may check the Yellow Pages under "tree service."

Brush should be put out to the curb no sooner than 3 days prior to the pickup date. The village crew will limit the amount of time spent at each residence to 10 minutes. If the amount of brush is too great, some may be left for the next pickup date.

The village crew will answer any questions you may have while they are at your residence. If you are unable to speak with the crew, please call the Clerk's Office at 715-659-5423 or the Public Works Department at 715-659-5443 with questions.

SCHEDULE:

- Brush pickup/chipping will occur on the FIRST and THIRD Monday of the month weather permitting.
- All brush must be curbside by 7 am on the day of the scheduled chipping or brush pickup. The village crew will not pick up brush in alleys. The crew will not cross or enter private property to pick up brush. Brush that is not curbside by 7 am will not be picked up until the next scheduled pickup date. In order to maintain the schedule, crews WILL NOT return for special pickups. Christmas trees will be picked up starting on the day after Christmas and ending on the last week of January. Christmas trees must be without bags, stands, or wire.

PILING BRUSH:

These guidelines must be followed. If brush piles do not meet these guidelines, the brush/limbs will not be collected until they meet the guidelines.

- Brush must be SECURELY bundled – bundles not more than 6 feet long & 6 inches in diameter. Pile brush/branches with the cut end toward the road, all in the same direction, and pile as loosely as possible so that brush is easy to handle and pick up. Keep brush away from mailboxes, telephone poles, etc.
- Stumps, root balls, roots, rocks, rubbish, construction material, dimensional lumber, or metal WILL NOT be collected.

If there is major storm damage, the village crew will chip brush from storm-damaged trees. The Village Board will determine and announce emergency storm-related brush collections.

Attention to these guidelines is greatly appreciated by both residents, neighbors, and the village crew. These guidelines will keep the Village looking great.

Spencer Compost Facility

The Village Compost Facility is open daily to all residents from 8 am to dusk. You may deposit brush, grass clippings and compost related material. Wood chips and black dirt are available to take for your residence. Fill may be available upon request. The facility is located in the southwest part of the Village on W. Willow Drive, off of S. LaSalle Street.

- Please be aware that this is not a dump. Items such as building materials and 2x4's, appliances, shingles, bricks and other garbage are prohibited.
- If you did not get your orange compost site pass, please stop in the Clerk's Office.



Insights to protect your drinking water

Do...

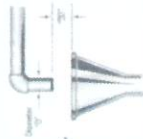
- Keep the ends of hoses clear of all possible contaminants.
- Make sure dishwashers are installed with a proper "air gap" device.
- Verify and install a simple hose bibb vacuum breaker on all threaded faucets around your home.
- Make sure water treatment devices such as water softeners have the proper "air gap", which is a minimum of one inch above any drain.



Hose bibb Vacuum Breaker

Don't...

- Submerge hoses in buckets, pools, tubs, sinks or ponds.
- Use spray attachments without a backflow prevention device.
- Connect waste pipes from water softeners or other treatment systems directly to the sewer or submerged drain pipe. Always be sure there is a one inch "air gap" separation.



Air Gap

What is a Cross-Connection?

A cross-connection is an actual or potential connection between the safe drinking water (potable) supply and a source of contamination or pollution. State plumbing codes require approved backflow prevention methods to be installed at every point of potable water connection and use. Cross-Connections must be properly protected or eliminated.

How does contamination occur?

When you turn on your faucet, you expect the water to be as safe as when it left the treatment plant. However, certain hydraulic conditions left unprotected within your plumbing system may allow hazardous substances to contaminate your own drinking water or even the public water supply.

Water normally flows in one direction. However, under certain conditions, water can actually flow backwards; this is known as Backflow. There are two situations that can cause water to flow backward: back siphonage and backpressure.

Backsiphonage

May occur due to a loss of pressure in the municipal water system during a fire fighting emergency, a water main break or system repair. This creates a siphon in your plumbing system which can draw water out of a sink or bucket and back into your water or the public water system.

Backpressure

May be created when a source of pressure (such as a boiler) creates a pressure greater than the pressure supplied from the public water system. This may cause contaminated water to be pushed into your plumbing system through an unprotected cross-connection.

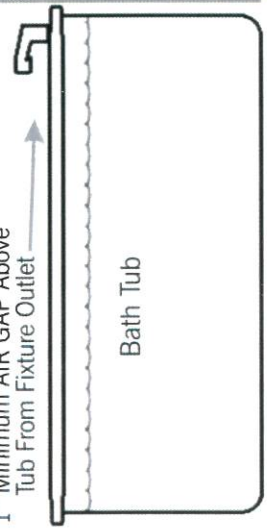
In the Bathroom - Hand Held Shower Fixture

The hand held shower fixture is compliant if:

- When shower head is hanging freely, it is at least 1" above top of the flood level rim of the receptor (tub)
- Complies with **ASSE#1014**
- Has the **ASME code 112.18.1** stamped on the handle



1" Minimum AIR GAP Above Tub From Fixture Outlet



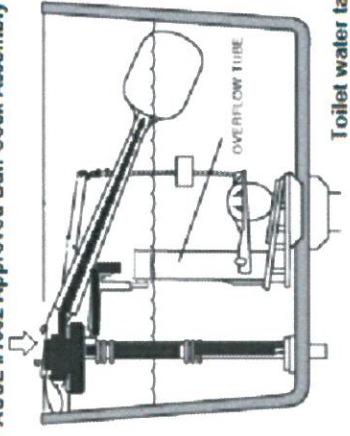
Bath Tub

In the Bathroom - Toilet Tanks

There are many unapproved toilet tank fill valve products sold at common retailers which do not meet the state plumbing code requirements for backflow prevention.

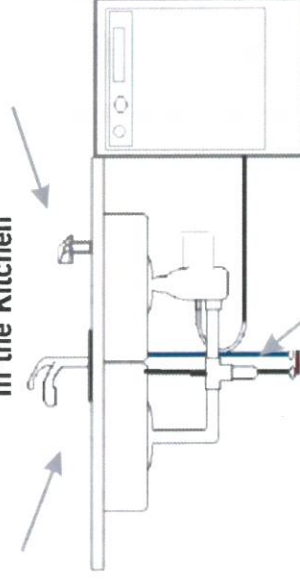
- Look for the **ASSE #1002** Standard symbol on the device and packaging
- Replace any unapproved devices with an **ASSE #1002** approved anti siphon ball-cock assembly. Average cost is typically \$12 to \$22 at home improvement stores
- Verify overflow tube is one inch below critical level (CL) marking on the device

ASSE #1002 Approved Ball Cock Assembly



Toilet water tank

In the Kitchen



Hoses and water treatment devices may create a potential backflow hazard if not properly isolated with backflow prevention methods.

ANNUAL ELECTRONICS DROP-OFF EVENT

THE VILLAGE OF SPENCER IS PARTNERING WITH 1ST CHOICE RECYCLING TO PROVIDE THIS DROP-OFF EVENT. ONCE AGAIN, WE WILL BE ACCEPTING ALL ELECTRONIC DEVICES THAT HAVE A CORD. PLEASE CONTACT THE CLERK'S OFFICE FOR MORE INFORMATION ON THIS NO-COST EVENT AT 715-659-5423.

PLEASE DO NOT CONTACT THE RECYCLING CENTER.

Friday, May 15th from

4:30 pm to 7:00 pm

&

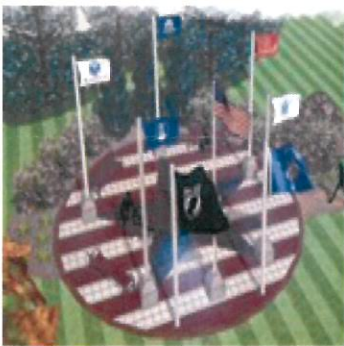
Saturday, May 16th from

8:00 am to Noon



No early drop-offs. You will be charged the standard fee for early drop-offs.

Veterans Memorial Project



The ground breaking ceremony for the Veterans Memorial is scheduled for Saturday, April 11th, at 1:00 pm. The New Directions Veterans Choir, an a cappella group that will be performing at the LuCille Tack Center later that evening, will participate at this event. The project is scheduled to start this spring and be completed mid July. This memorial will be located at the corner park at the intersection of STH's 13 and 98. Bricks are available for purchase to commemorate past and present service members of our country. Founding donors will be recognized for their contributions with a special Founding Donors plaque. If you are interested in purchasing a brick or making a Founding Donors contribution, please contact the Clerk's Office for more information 715-659-5423.

2015 STREET PROJECTS

The Village of Spencer will be conducting several street projects this year. As the summer approaches, street contractors will be working on North LaSalle Street, between Main Street and Elm Street to construct a median strip on both sides of the crossing. This improvement is required to comply with the newly awarded FRA train whistle quiet zone. There will also be crews from the railroad in the area to complete the closure of the Main Street railroad crossing. Please be safe when you travel through these areas.

Street improvements will also be made to W. Willow Drive, the road that leads to the compost facility. The project will involve relocating the existing gravel road and moving it approx. 15 feet to the north. W. Willow will receive blacktop as well. Improvements to this street are TIF eligible, therefore no Levy money will be used to pay for this project. Please be aware that this is the only public access to the compost facility. Temporary closures may occur, so please contact the Clerk's Office before you make any special trips to the compost facility. An effort will be made to accommodate everyone during the street project.



You can pay your water bill online...

Go to www.spencerwi.org and click on the "online payment" tab in the upper right hand corner

HOLIDAY	DATE
New Year's Day	Thursday, January 01
Martin Luther King, Jr. Day	Monday, January 19
Valentine's Day	Saturday, February 14
Presidents' Day	Monday, February 16
St. Patrick's Day	Tuesday, March 17
Good Friday	Friday, April 3
Passover	Saturday, April 4
Easter	Sunday, April 5
Memorial Day	Monday, May 25
Independence Day	Saturday, July 04
Labor Day	Monday, September 07
Rosh Hashanah	Monday, September 14
Yom Kippur	Wednesday, September 23
Columbus Day	Monday, October 12
Halloween	Saturday, October 31
Veterans' Day	Wednesday, November 11
Thanksgiving	Thursday, November 26
Hanukkah	Monday, December 7
Christmas	Friday, December 25

Watch for Spencer's Upcoming Events...

<u>FFA Easter Egg Hunt</u>	April 4th	Spring
<u>Lions Smelt Feed</u>	April 8th	April
<u>Dairy Breakfast</u>		June
<u>Swamp Stompers</u>	July 18 & 19th	July
<u>Music In The Park</u>		August
<u>City Wide Garage Sale</u>	August 6 - 8th	August
<u>Women's Club Wreath Sale</u>	October - November	
<u>Fire Department Dance & Steak Feed</u>		October
<u>SKG Halloween Event</u>		October
<u>Chamber Turkey Give Away</u>		November
<u>PTA Craft Fair</u>	November 28th	November
<u>Lunch with Santa</u>	December 5th	December
<u>School Christmas Concerts</u>		December
<u>FFA Project Merry Christmas</u>		December

CONTACT THE VILLAGE OF SPENCER

- Clerk's Office:** 715-659-5423
- Police Dept:** 715-659-5453
- Fire Dept:** 911
- Non emergency:** 715-659-4030
- Email:** clerk@vil.spencer.wi.us
- On the Web:** www.spencerwi.org

To more efficiently deliver the Village's newsletter, and reduce costs, the next issue will also be available electronically. To receive the link for an electronic copy, please send an email to thad@spencerwi.org with "newsletter" in the subject line. Issues will also be available on the Village's webpage - clerk@vil.spencer.wi.us